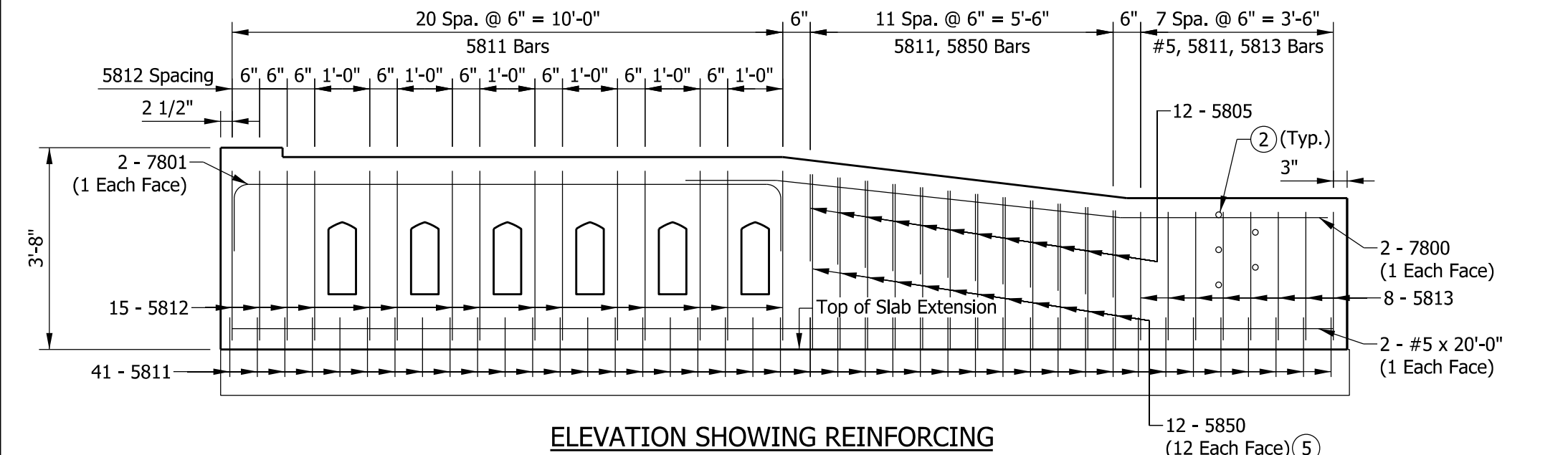
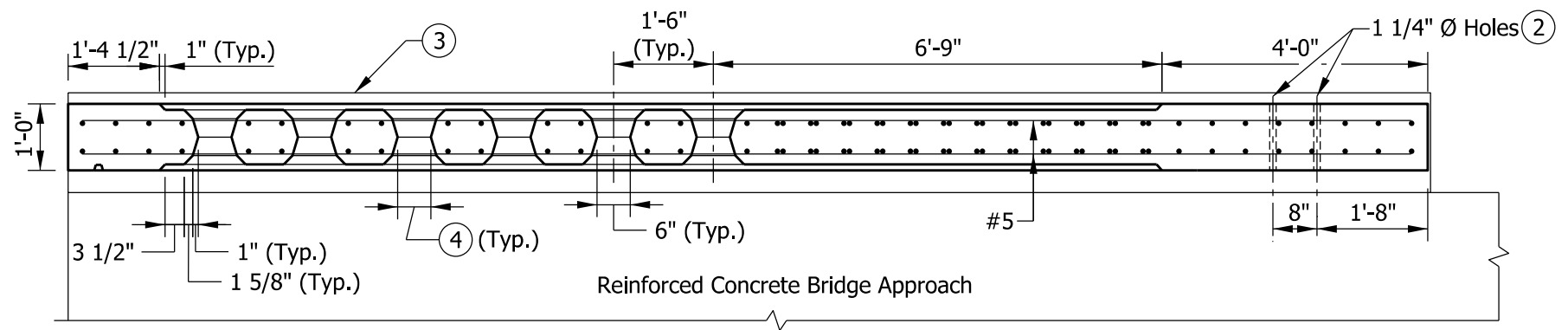


**ELEVATION**

END BENT  
PILASTER (Typ.)



**ELEVATION SHOWING REINFORCING**



**SECTION E-E**

**NOTES:**

1. See Standard Drawing E 706-TTXX-02 for sections and reinforcing-bar diagrams.
2. Holes for attachment of guardrail transition, MGS transition, or type TGB. See Standard Drawing E 706-CBRT-04 for details.
3. RCBA extension for bridge railing transition type TTX. See Standard Drawing E 609-TBAE-02 for details.
4. Window opening. See Standard Drawing E 706-BRTX-02 for details.
5. See Standard Drawing E 706-TTXX-02 for reinforcing-bar cutting diagram.

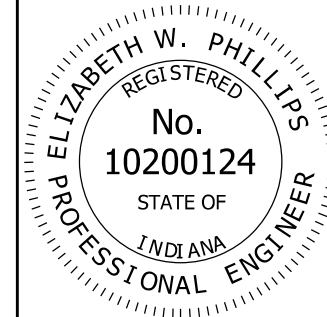
BILL OF MATERIALS			
Quantities are for one concrete bridge railing transition type TTX			
EPOXY-COATED REINFORCING BARS			
MARK OR SIZE	NO. OF BARS	LENGTH	WEIGHT
7800	2	11'-9"	
7801	2	12'-4"	
Total #7			98 LBS
5805	12	3'-8"	
5811	41	4'-0"	
5812	15	8'-6"	
5813	8	7'-0"	
5850	12	5'-8"	
#5	2	20'-0"	
Total #5			521 LBS
Total Epoxy-Coated Reinforcing Bars			619 LBS
MISCELLANEOUS			
Concrete, Class C			2.0 CYS
Surface Seal			149 SFT

**INDIANA DEPARTMENT OF TRANSPORTATION**

**CONCRETE BRIDGE RAILING TRANSITION, TTX**

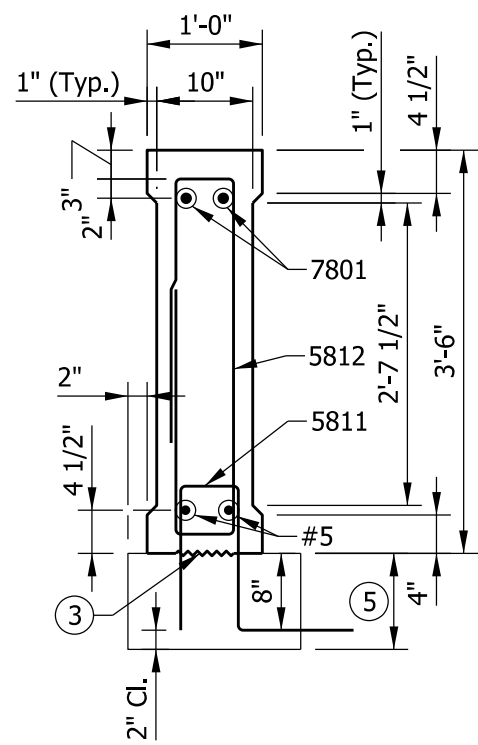
SEPTEMBER 2014

STANDARD DRAWING NO. E 706-TTXX-01

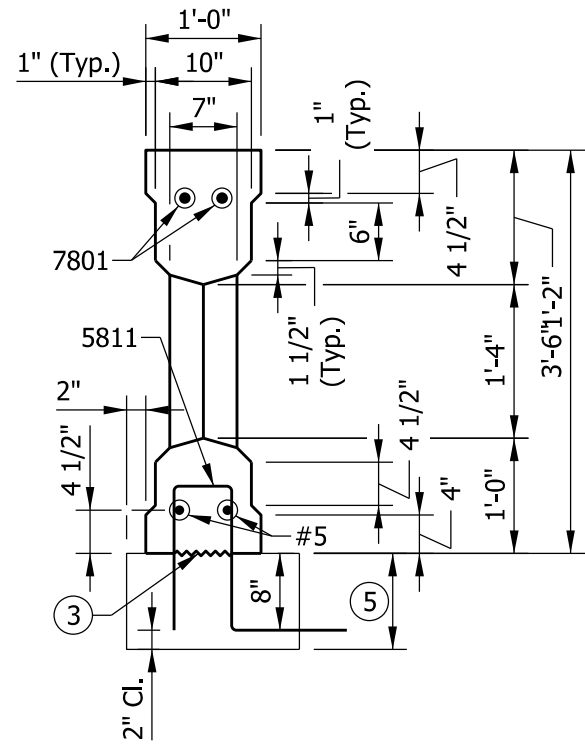


/s/ Elizabeth W. Phillips 09/23/13  
DESIGN STANDARDS ENGINEER DATE

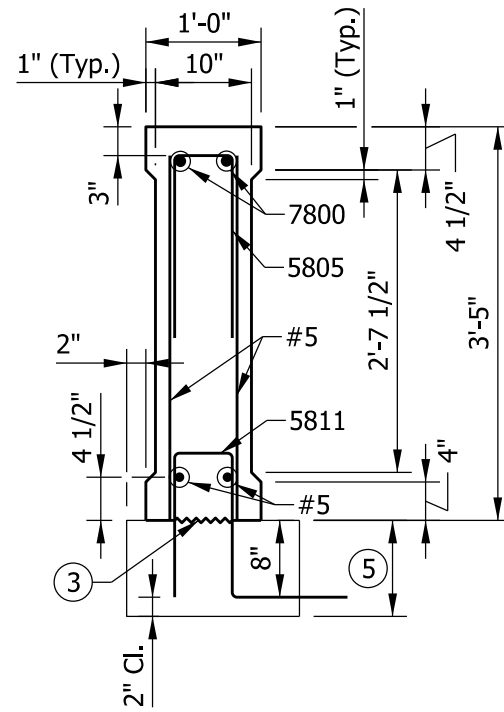
/s/ Mark A. Miller 09/26/13  
CHIEF ENGINEER DATE



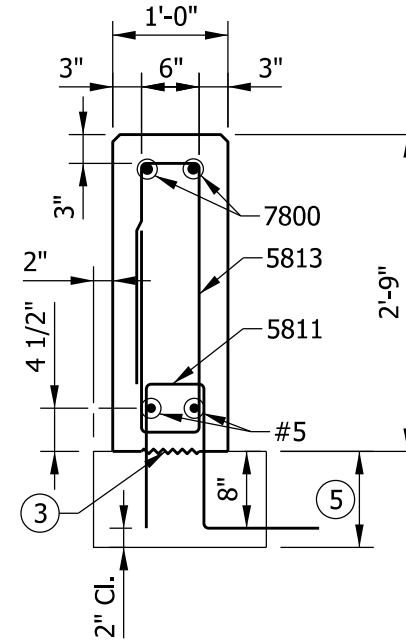
**SECTION A-A**



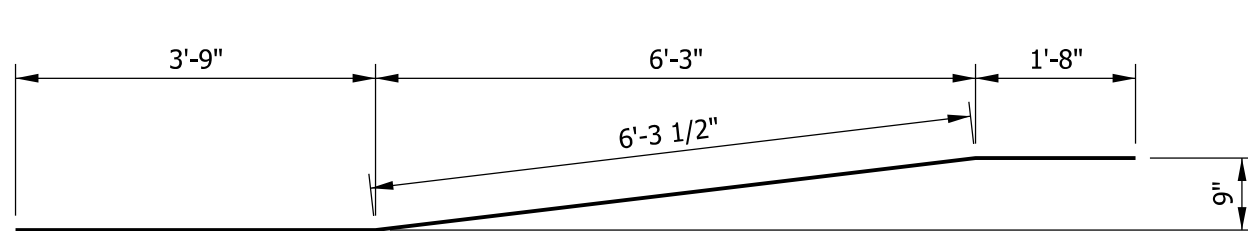
**SECTION B-B**



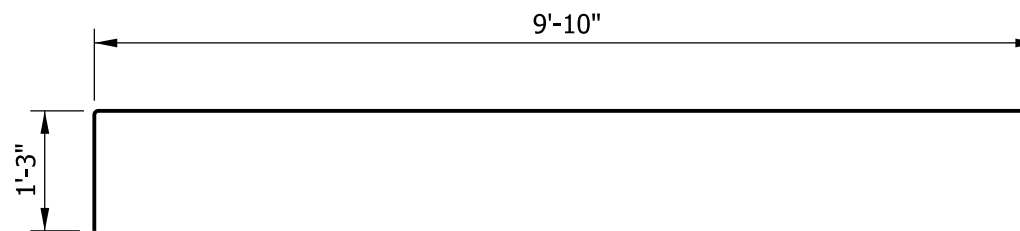
**SECTION C-C**



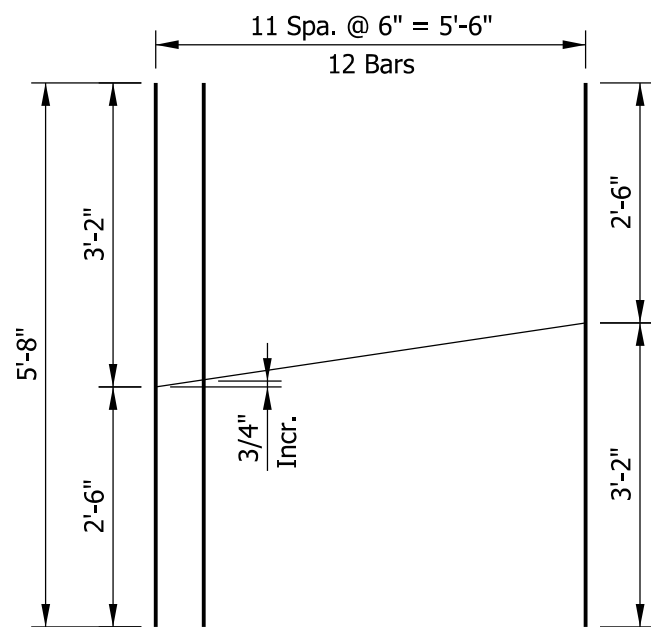
**SECTION D-D**



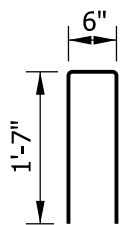
**7800 x 11'-9"**



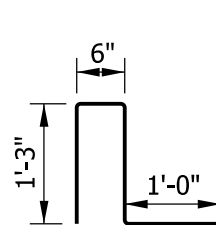
**7801 x 12'-4"**



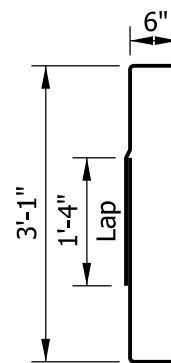
**5850 x 5'-8"**  
(1 Bar Cuts 2)



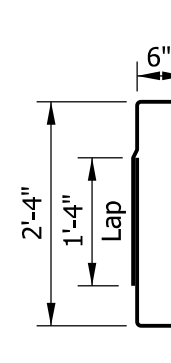
**5805 x 3'-8"**



**5811 x 4'-0"**



**5812 x 8'-6"**



**5813 x 7'-0"**

**NOTES:**

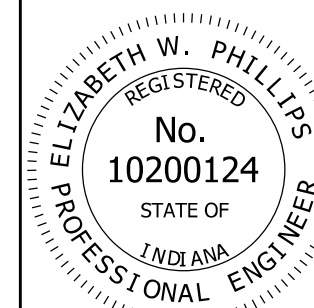
1. See Standard Drawing E 706-TTXX-01 for elevations and plan.
2. All chamfered edges shall be 3/4".
3. Construction joint type A. See Standard Drawing E 702-CJTA-01 for details.
4. See Standard Drawing E 703-BRST-01 for reinforcing-bar bending details and notes.
5. RCBA extension for bridge railing transition type TTX. See Standard Drawing E 609-TBAE-02 for details.

INDIANA DEPARTMENT OF TRANSPORTATION

CONCRETE BRIDGE RAILING  
TRANSITION, TTX

SEPTEMBER 2014

STANDARD DRAWING NO. E 706-TTXX-02



/s/ Elizabeth W. Phillips 09/23/13

DESIGN STANDARDS ENGINEER DATE

/s/ Mark A. Miller 09/26/13

CHIEF ENGINEER DATE